

# Steel Fittings

## Galvanized Circle Lock

### Circle Lock Mainline Coupler Set



Press-In female, male, gasket and clamp

Size	Part Number	Wt/Lbs	Price
3"	SK100503	5.00	
4"	SK100504	6.50	
5"	SK100505	9.00	
6"	SK100506	10.00	
8"	SK100508	17.50	
10"	SK100510	25.00	
12"	SK100512	31.00	

**Black #SK1006 - Big Bump #SK1030**

### Circle Lock Female Coupler



Press-In female with gasket

Size	Part Number	Wt/Lbs	Price
3"	SK102003	2.00	
4"	SK102004	2.50	
5"	SK102005	3.50	
6"	SK102006	4.00	
8"	SK102008	8.00	
10"	SK102010	10.50	
12"	SK102012	15.00	

**Black #SK1021**

### Circle Lock Male End



Press-In male coupler--Big Bump available at same price

Size	Part Number	Wt/Lbs	Price
3"	SK101003	2.00	
4"	SK101004	2.50	
5"	SK101005	3.50	
6"	SK101006	4.00	
8"	SK101008	7.00	
10"	SK101010	11.00	
12"	SK101012	14.00	

**Black #SK1011 - Big Bump #SK1012**

### High Pressure Circle Lock Clamp



Size	Part Number	Wt/Lbs	Price
3"	ITHPRLC300	1.40	
4"	ITHPRLC400	1.60	
5"	ITHPRLC500	1.80	
6"	ITHPRLC600	2.00	
8"	ITHPRLC800	2.50	
10"	ITHPRLC1000	3.50	
12"	ITHPRLC1200	5.25	

## BI-STATE RUBBER

Prices Effective: January 1, 2020.

Prices Subject to Change Without Notice

Phone: 636-349-2388 \* Fax: 636-349-2393 \* Fenton, MO









# Steel Fittings

## Flange x Female Circle Lock



Standard Flange

Size	Galvanized		Black Steel	
	Part Number	Price	Part Number	Price
4" x 4"	SK15260604		SK15240604	
4" x 6"	SK15260606		SK15240606	
6" x 4"	SK15260608		SK15240608	
6" x 6"	SK15260806		SK15240806	
8" x 6"	SK15260808		SK15240808	
8" x 8"	SK15261008		SK15241008	
10" x 8"	SK15261010		SK15241010	

\*\*\*Other Sizes Available.\*\*\*

## Flange x Male



Size	Galvanized		Black Steel	
	Part Number	Price	Part Number	Price
4" x 4"	SK15270404		SK15250404	
4" x 6"	SK15270406		SK15250406	
6" x 4"	SK15270604		SK15250604	
6" x 6"	SK15270606		SK15250606	
8" x 6"	SK15270806		SK15250806	
8" x 8"	SK15270808		SK15250808	

## Flange x Flange



Size	Galvanized		Black Steel	
	Part Number	Price	Part Number	Price
4" x 4"	SK15280404		SK15230404	
4" x 6"	SK15280406		SK15230406	
6" x 6"	SK15280606		SK15230606	
6" x 8"	SK15280608		SK15230608	
8" x 8"	SK15280808		SK15230808	
8" x 10"	SK15280810		SK15230810	
10" x 10"	SK15281010		SK15231010	
12" x 10"	SK15281210		SK15231210	
12" x 12"	SK15281212		SK15231212	

## Flanged Tee



Size	Galvanized		Black Steel	
	Part Number	Price	Part Number	Price
6" x 6" x 6"	SK11350606		SK15220606	
6" x 6" x 4"	SK11350604		SK15220604	
8" x 8" x 8"	SK11350808		SK15220808	
8" x 8" x 6"	SK11350806		SK15220806	
10" x 10" x 10"	SK11351010		SK15221010	
10" x 10" x 8"	SK11351008		SK15221008	
10" x 10" x 6"	SK11351006		SK15221006	

## BI-STATE RUBBER

Prices Effective: January 1, 2020.

Prices Subject to Change Without Notice

Phone: 636-349-2388 \* Fax: 636-349-2393 \* Fenton, MO

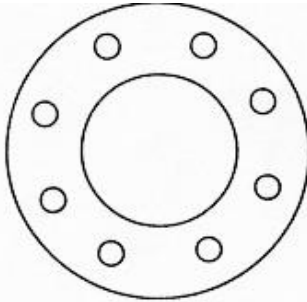
# Steel Fittings

## Black Steel Companion Flange

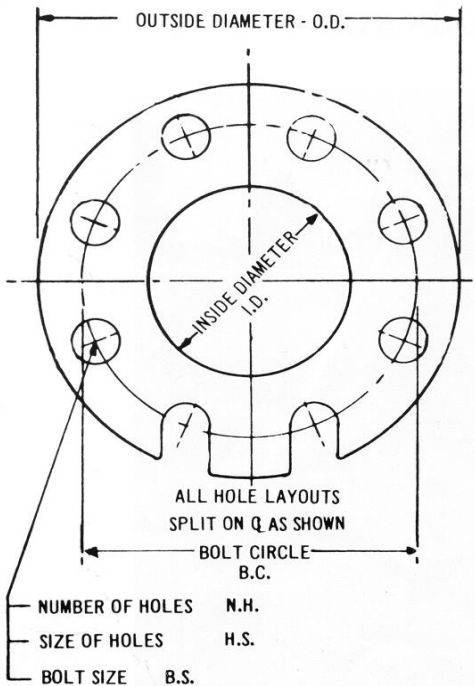


Size	Part Number	Wt/Lbs	Price
3"	SK330003	5.00	
4"	SK330004	6.75	
5"	SK330005	7.25	
6"	SK330006	9.25	
8"	SK330008	12.50	
10"	SK330010	17.00	
12"	SK330012	24.25	

## Full Faced Gasket



Size	Part Number	Price
3"	ITCPF- 3-GF	
4"	ITCPF- 4-GF	
5"	ITCPF- 5-GF	
6"	ITCPF- 6-GF	
8"	ITCPF- 8-GF	
10"	ITCPF-10-GF	
12"	ITCPF-12-GF	



PIPE SIZE	O.D.	I.D.	B.C.	N.H.	H.S.	B.S.
2"	6"	2"	4 <sup>3</sup> / <sub>4</sub> "	4	3/4"	5/8"
3"	7 <sup>1</sup> / <sub>2</sub> "	3"	6"	4	3/4"	5/8"
4"	9"	4"	7 <sup>1</sup> / <sub>2</sub> "	8	3/4"	5/8"
5"	10"	5"	8 <sup>1</sup> / <sub>2</sub> "	8	7/8"	3/4"
6"	11"	6"	9 <sup>1</sup> / <sub>2</sub> "	8	7/8"	3/4"
8"	13 <sup>1</sup> / <sub>2</sub> "	8"	11 <sup>3</sup> / <sub>4</sub> "	8	7/8"	3/4"
10"	16"	10"	14 <sup>1</sup> / <sub>4</sub> "	12	1"	7/8"
12"	19"	12"	17"	12	1"	7/8"

## BI-STATE RUBBER

Prices Effective: January 1, 2020. Prices Subject to Change Without Notice  
 Phone: 636-349-2388 \* Fax: 636-349-2393 \* Fenton, MO

# Steel Fittings

## Galvanized Steel Valves

### Valve Opening Elbow



Size	Part Number	Price
3"x2"	STSUVEO 302	
3"x3"	STSUVEO 303	
4"x3"	STSUVEO 403	
4"x4"	STSUVEO 404	
6"x4"	STSUVEO 604	
6"x5"	STSUVEO 605	
6"x6"	STSUVEO 606	
8"x6"	STSUVEO 806	
8"x8"	STSUVEO 808	
10"x10"	STSUVEO1010	

### Valve Opening Tee



Size	Part Number	Price
3"x2"x2"	STSUVEOT 322	
3"x3"x3"	STSUVEOT 333	
4"x3"x3"	STSUVEOT 433	
4"x4"x4"	STSUVEOT 444	
5"x4"x4"	STSUVEOT 544	
5"x5"x5"	STSUVEOT 555	
6"x4"x4"	STSUVEOT 644	
6"x5"x5"	STSUVEOT 655	
6"x6"x6"	STSUVEOT 666	
8"x6"x6"	STSUVEOT 866	
8"x8"x8"	STSUVEOT 888	

### Universal Valve Stub



With Galvanized Stem

Size	Part Number	Wt/Lbs	Price
3"	STUVS-S300	2.00	
4"	STUVS-S400	2.80	
5"	STUVS-S500	3.80	
6"	STUVS-S600	5.80	
8"	STUVS-S800	15.00	
10"	STUVS-S1000		

### Valve Stubs

FIPT



Part # STUVSSTF

With Galvanized Stems

MIPT



Part # STUVSSTM

Size	Part Number	FIPT	MIPT
3"x2"	3002		
3"x3"	3003		
4"x3"	4003		
4"x4"	4004		
5"x5"	5005		
6"x6"	6006		
8"x8"	8008		
10"x10"	10010		

## BI-STATE RUBBER

Prices Effective: January 1, 2020.

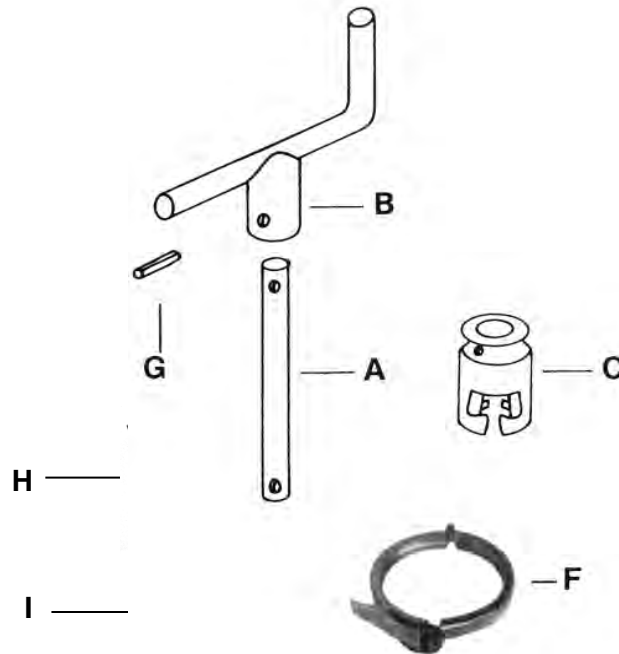
Prices Subject to Change Without Notice

Phone: 636-349-2388 \* Fax: 636-349-2393 \* Fenton, MO



# Steel Fittings

## Universal Valve Opener and Stub Parts



### Valve Openers

<i>Item</i>	<i>Description</i>	<b>3"</b>	<b>4"</b>	<b>5"</b>	<b>6"</b>	<b>8"</b>
(A)	Elbow Stem 3/4", 9 1/4" Length	\$12.12	\$12.12	\$ -----	\$ -----	\$ -----
(A)	Elbow Stem 3/4", 12" Length	-----	-----	14.46	14.46	14.46
(B)	T Crank 3/4" Steel	11.92	11.92	11.92	11.92	11.92
*	(C) Stem Shank Adapter	4.76	4.76	4.76	4.76	4.76
(F)	Ring Lock Clamp	13.08	14.12	14.60	15.60	17.08
(G)	Handle Roll Pin 1"	0.28	0.28	0.28	0.28	0.28
(G)	Socket Roll Pin 1 1/4"	0.36	0.36	0.36	0.36	0.36
	Chevron Gaskets 3/4"	1.06	1.06	1.06	1.06	1.06
	1 Pc. 3/4" Shaft, 9" Long Socket Assy.	16.06	16.06	-----	-----	-----
	1 Pc. 3/4" Shaft, 15" Long Socket Assy.	-----	-----	-----	-----	26.00

\* Stem Shank Adapter fits both 5/8" and 3/4" stems

### Valve Stubs

<i>Item</i>	<i>Description</i>	<b>3"</b>	<b>4"</b>	<b>5"</b>	<b>6"</b>	<b>8"</b>
(H)	6 3/4" Galvanized Steel Valve Stem	\$7.20	\$7.20	\$7.20	\$ -----	\$ -----
(H)	9" Galvanized Steel Valve Stem	-----	-----	-----	8.60	-----
(H)	11" Galvanized Steel Valve Stem	-----	-----	-----	-----	26.00
	6 3/4" Stainless Steel Valve Stem	11.20	11.20	11.20	-----	-----
	9" Stainless Steel Valve Stem	-----	-----	-----	14.60	-----
(I)	Universal Saddle Valve Disc	8.30	8.60	11.50	18.70	41.30

### BI-STATE RUBBER

Prices Effective: January 1, 2020.

Prices Subject to Change Without Notice

Phone: 636-349-2388 \* Fax: 636-349-2393 \* Fenton, MO